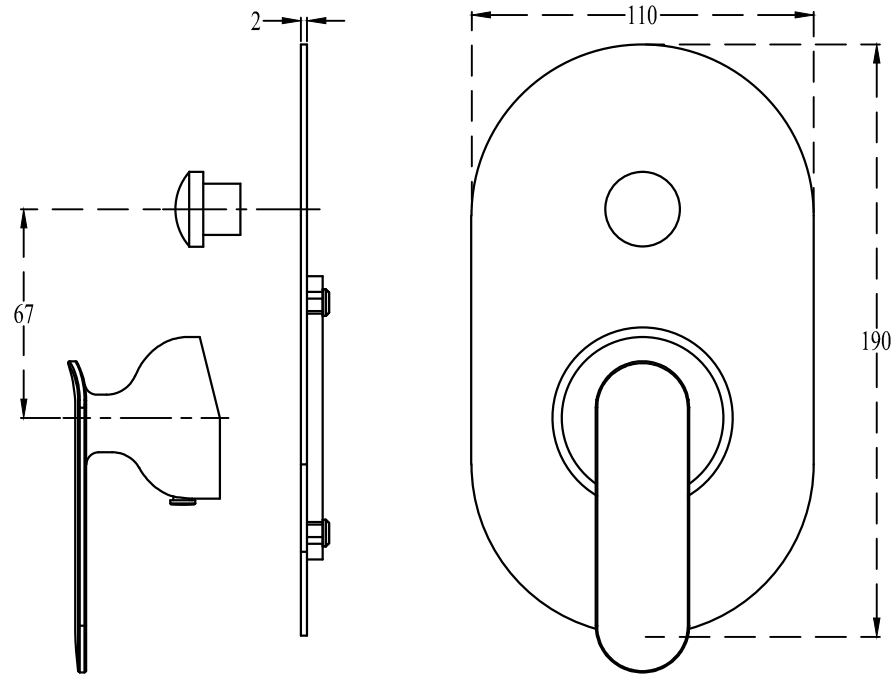


Technical Drawing

BROOKLYN F1018711 5-way single lever concealed diverter system consisting of Exposed part (lever, tip ton knob, flange) and Concealed part (cartridge with button assembly, cartridge sleeve)

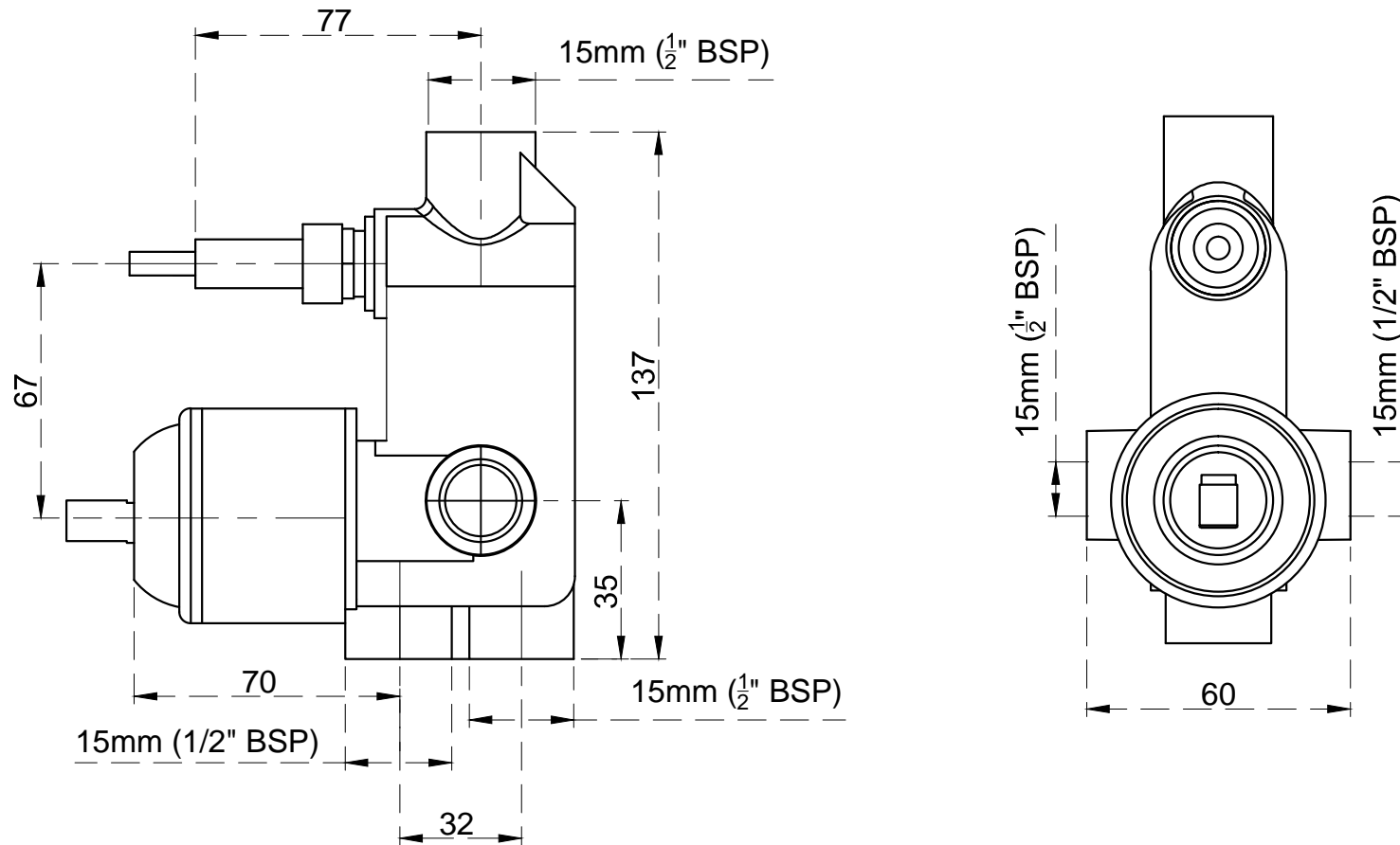
CERA



All dimension are in mm

Technical Drawing
CONCEALED F4020101 Concealed part for 5 way Diverter

CERA



All dimension are in mm