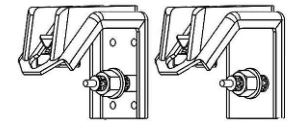
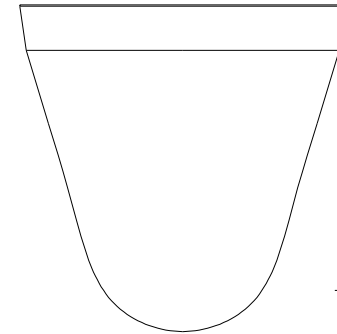
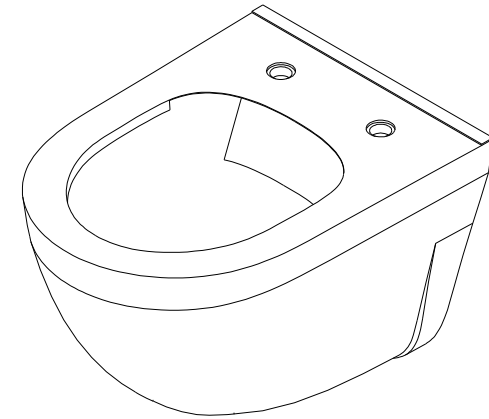


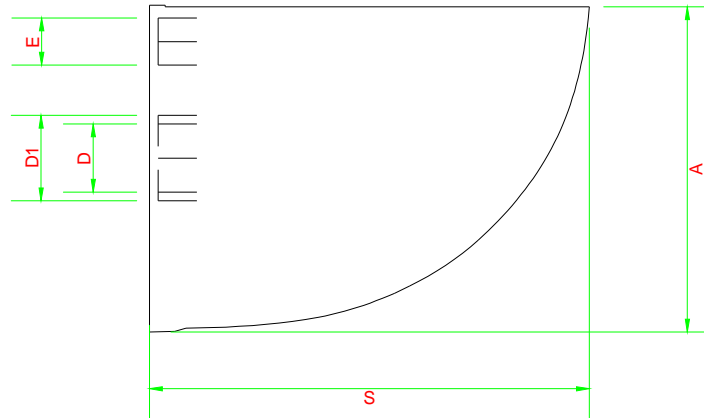
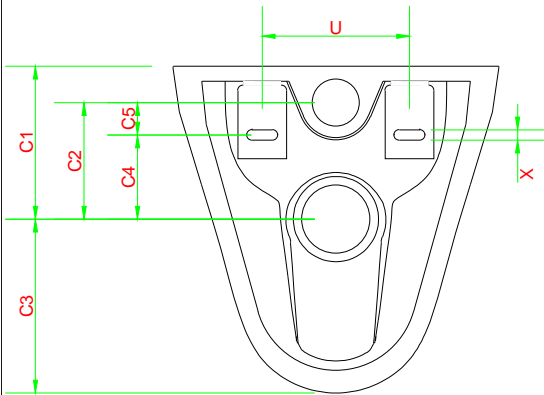
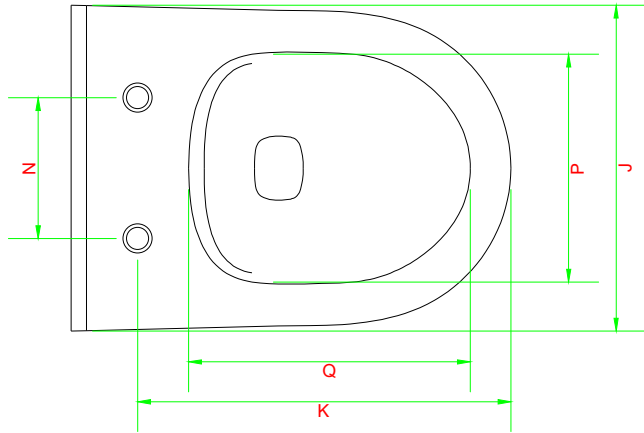
Technical Drawing

CARNIVAL S1043144 RIM LESS WALL HUNG EWC

CERA



Mounting Brackets



A	C1	C2	C3	C4	C5	D	D1	E	J	K	N	P	Q	S	U	X
380	180	135	200	100	35	80	102	Ø55	365	420	165	265	320	510	165±20	35 X 12

All dimension are in mm