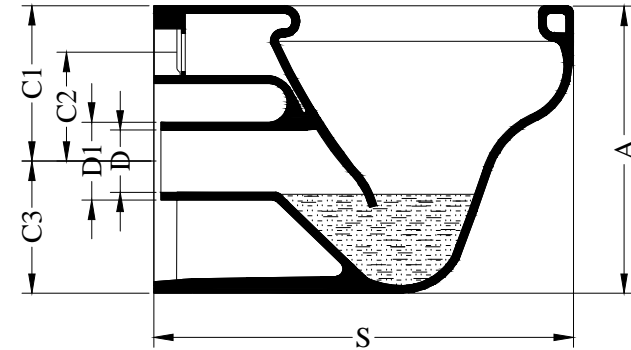
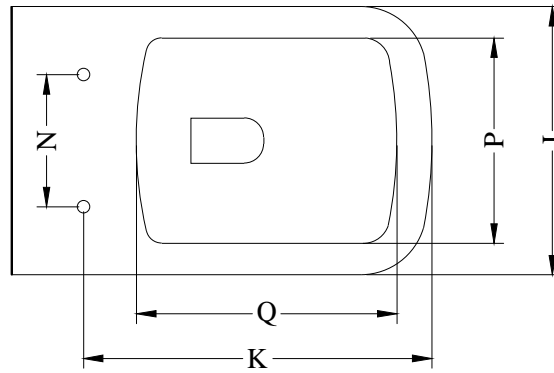
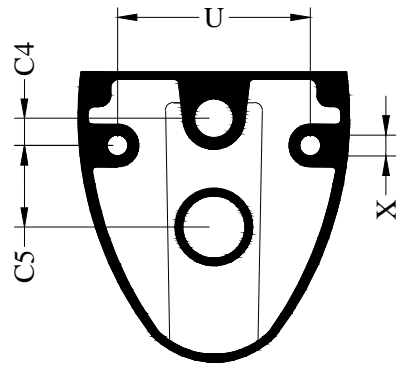


ALL DIMENSION ARE IN MM



A	C1	C2	C3	C4	C5	D	D1	J	K	N	P	Q	S	U	X
370	185	135±5	185	35	100	80	102	350	450	165	255	335	545	230±5	Ø25

Note :-

CERA CERA SANITARYWARE LTD, KADI

Scale :
N.T.S



Division Sanitary ware

PDM Ref. :-

THIS DRAWING IS THE PROPERTY OF MS CERA SANITARYWARE LIMITED.
©-G.D.C. KADI. & SHOULD NOT BE REPRODUCED OR COPIED IN ANY FORM
WITHOUT PRIOR WRITTEN PERMISSION.

MSD :- 2011 CR

Date	Sign
20.06.2018	Chintan Gajjar
06.10.2020	Dhirendra Singh
....

Finish :-

Drawn By 20.06.2018 Chintan Gajjar

Date :- 20.06.2018

Checked By 06.10.2020 Dhirendra Singh

Surface Area :- --- dm²

Approved By

Rev.No	Alteration	Date
1	Dimension Add : C4 & C5	06.10.2020

Title :- Campbell Clean Rim Wall Hung EWC

Dwg.No.	Range	Dwg Type	Material	Weight(kg)	Rev.No	Pages
S1041136	Wall Hung EWC	CAD	Ceramic	...	1	1 of 1