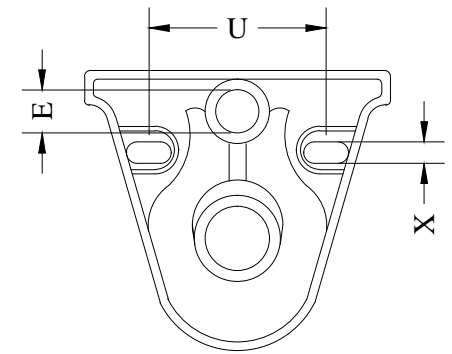
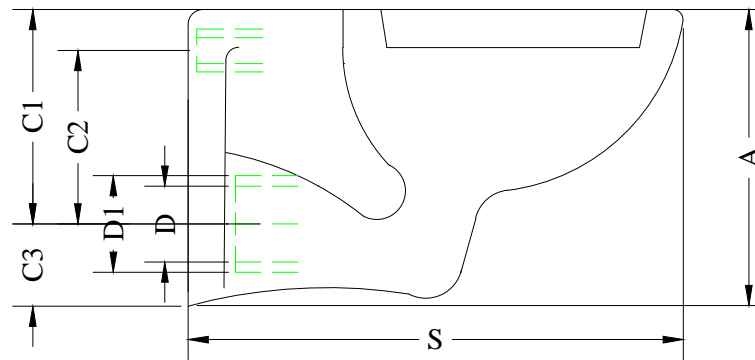
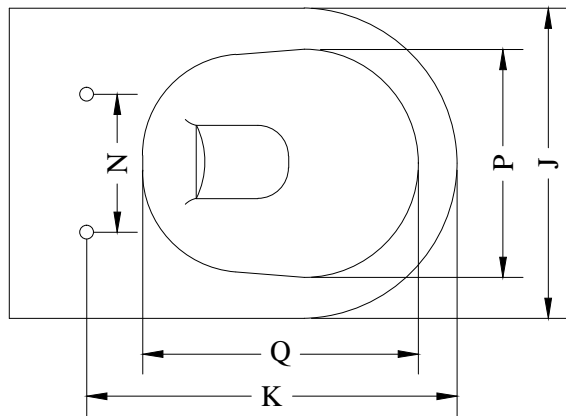


ALL DIMENSION ARE IN MM

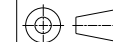


A	C1	C2	C3	D	D1	E	J	K	N	P	Q	S	U	X
335	195	140	135	80	102	ø55	360	430	165	265	320	535	230±5	25X52

Note :-

CERA CERA SANITARYWARE LTD, KADI

Scale :
N.T.S



Division Sanitary ware

PDM Ref. :-

THIS DRAWING IS THE PROPERTY OF MS CERA SANITARYWARE LIMITED.
©G.D.C. KADI. & SHOULD NOT BE REPRODUCED OR COPIED IN ANY FORM
WITHOUT PRIOR WRITTEN PERMISSION.

MSD :-

Date	Sign
------	------

Finish :-

Drawn By	Chintan Gajjar
----------	----------------

Date :- 08.11.2016

1 Format change

10.10.2020

Checked By	10.10.2020	Gaurav Katlare
------------	------------	----------------

Approved By
-------------	------	------

Surface Area :- --- dm²

Rev.No

Alteration

Date

Title :-
CORDO WALL HUNG EWC

Dwg.No.	Range	Dwg Type	Material	Weight(kg)	Rev.No	Pages
S1041108	WALL HUNG EWC	CAD	CERAMIC	1	1 of 1